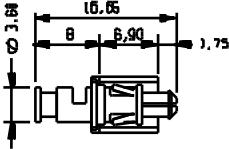
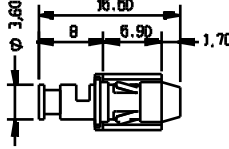
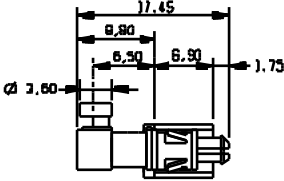
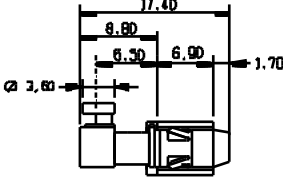
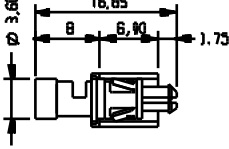
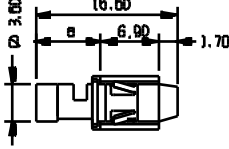
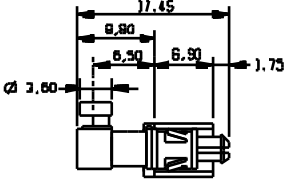
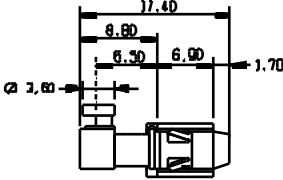
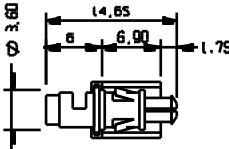
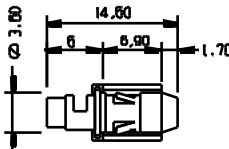
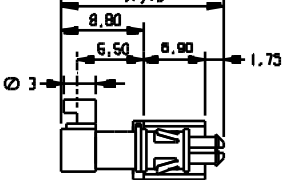
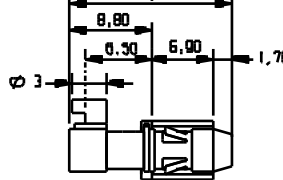
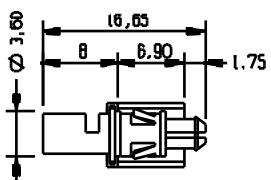
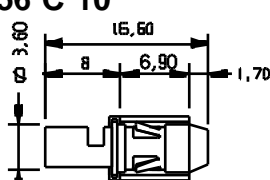
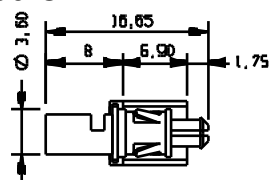
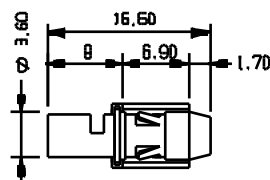
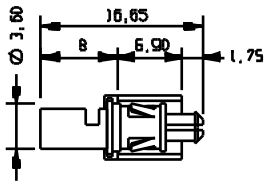
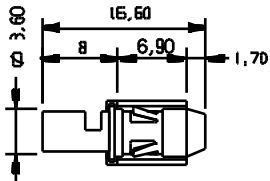
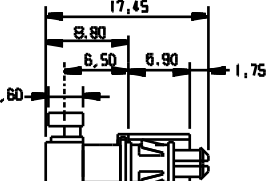
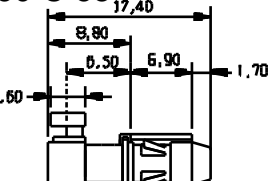
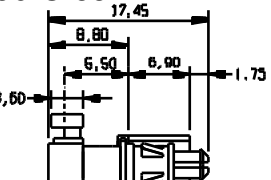
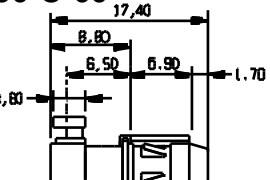
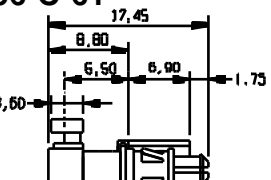
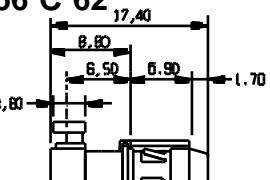
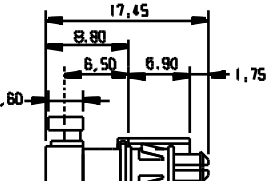
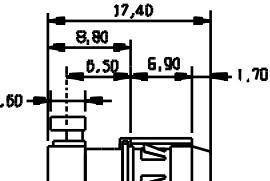


MALE		FEMALE
<p>KMX 3 - M 081</p> 	<p>Male and female contacts for chassis or free connector assembly. Suitable for flexible cable \varnothing 1.9 max. Réf. KX 21 A (RG 178 B/U or RG 196)</p>	<p>KMX 3 - F 081</p> 
<p>KMX 3 - M 092</p> 	<p>Male and female contacts with 90° cable entry for chassis or free connector assembly. Suitable for flexible cable \varnothing 1.9 max. Réf. KX 21 A (RG 178 B/U or RG 196) Usable with mother board, thickness 3.2 mm max.</p>	<p>KMX 3 - F 092</p> 
<p>KMX 3 - M 101</p> 	<p>Male and female contacts for chassis or free connector assembly. Suitable for flexible cable \varnothing 2.5 max. Réf. KX 22 A (RG 316).</p>	<p>KMX 3 - F 101</p> 
<p>KMX 3 - M 112</p> 	<p>Male and female contacts with 90° cable entry for chassis or free connector assembly. Suitable for flexible cable \varnothing 2.5 max. Réf. KX 22 A (RG 316). Usable with mother board thickness 3.2 mm max.</p>	<p>KMX 3 - F 112</p> 
<p>KMX 3 - M 131</p> 	<p>Male and female contacts for chassis or free connector assembly. Suitable for semi-rigid cable \varnothing 2.2 max. Réf. KS 1 (RG 405 - UT 85).</p>	<p>KMX 3 - F 131</p> 
<p>KMX 3 - M 142</p> 	<p>Male and female contacts with 90° cable entry for chassis or free connector assembly. Suitable for semi-rigid cable \varnothing 2.2 max. Réf. KS 1 (RG 405 - UT 85). Usable with mother board thickness 3.2 mm max.</p>	<p>KMX 3 - F 142</p> 

SERIES HE 810

H.F. COAXIAL CONTACTS

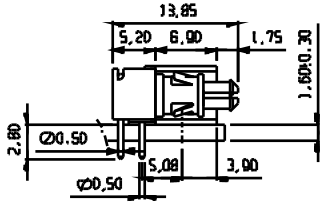
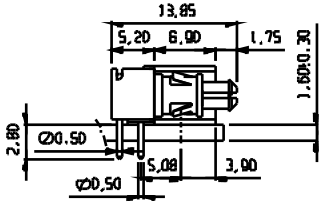
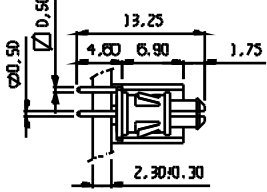
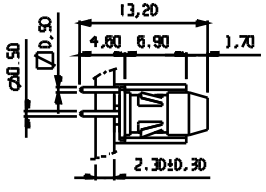
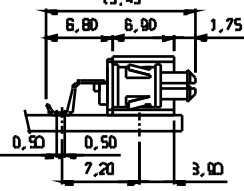
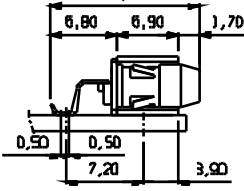
KMX 3 SERIES SPECIFICATION NFC 93569 FOR NON-STANDARD CABLES

MALE		FEMALE
<p>E 756 C 09</p> 	<p>Male and female contacts for chassis or free connector assembly. Suitable for flexible cable \varnothing 2.5 max. Réf. Microdot 250-3908</p>	<p>E 756 C 10</p> 
<p>E 756 C 11</p> 	<p>Male and female contacts for chassis or free connector assembly. Suitable for flexible cable \varnothing 3.5 max. Réf. Microdot 250-3937</p>	<p>E 756 C 12</p> 
<p>E 756 C 15</p> 	<p>Male and female contacts for chassis or free connector assembly. Suitable for flexible extended dielectric cable \varnothing 2.2 max. Réf. Axon P 812817 Réf. Alpen A 22 DT Réf. Gore CSS 1022 K*</p>	<p>E 756 C 16</p> 
<p>E 756 C 57</p> 	<p>Male and female contacts with 90° cable entry for chassis or free connector assembly. Suitable for flexibel cable \varnothing 2.8. Réf. KX 22 A "double screen". Usable with mother board thickness 3.2 mm max.</p>	<p>E 756 C 58</p> 
<p>E 756 C 59</p> 	<p>Male and female contacts with 90° cable entry for chassis or free connector assembly. Suitable for flexible cable \varnothing 2.5. Réf. Microdot 250-3908. Usable with mother board thickness 3.2 mm max.</p>	<p>E 756 C 60</p> 
<p>E 756 C 61</p> 	<p>Male and female contacts with 90° cable entry for chassis or free connector assembly. Suitable for flexible cable \varnothing 3.25. Réf. Microdot 250-3937. Usable with mother board thickness 3.2 mm max.</p>	<p>E 756 C 62</p> 
<p>E 756 C 65</p> 	<p>Male and female contacts with 90° cable entry for free connector assembly. Suitable for flexible extended dielectric cable \varnothing 2.2 max. Réf. Axon P 812817 Réf. Alpen A 22 DT Réf. Gore CSS 1022 K* Usable with mother board thickness 3.2 mm max.</p>	<p>E 756 C 66</p> 

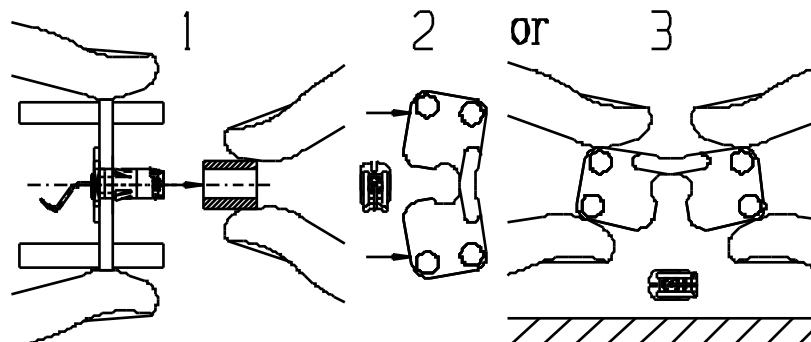
* For automatic stripping.

H.F. COAXIAL CONTACTS

KMX 3 SERIES SPECIFICATION NFC 93569 FOR P.C.B.

MALE		FEMALE
<p>KMX 3 - M 032</p> 	<p>Male and female contacts with tails at 90° for direct mounting on to p.c.b. (Cut one of the two ground tails for mounting on to p.c.b.).</p> <p>P.c.b. thickness 3,70 ± 0,30 ; ← E756 C20 E756 C24 →</p>	<p>KMX 3 - F 032</p> 
<p>KMX 3 - M 041</p> 	<p>Male and female contacts with p.c. tails for direct mounting on to p.c.b.</p> <p>P.c.b. thickness 4 ± 0,30 ; ← E756 C17 E756 C18 →</p> <p>P.c.b. thickness 5 ± 0,30 ; ← E756 C30 E756 C29 →</p>	<p>KMX 3 - F 041</p> 
<p>KMX 3 - M 172</p>  <p>See note 1</p>	<p>Male and female contacts with SMT termination.</p>	<p>KMX 3 - F 172</p>  <p>See note 1</p>

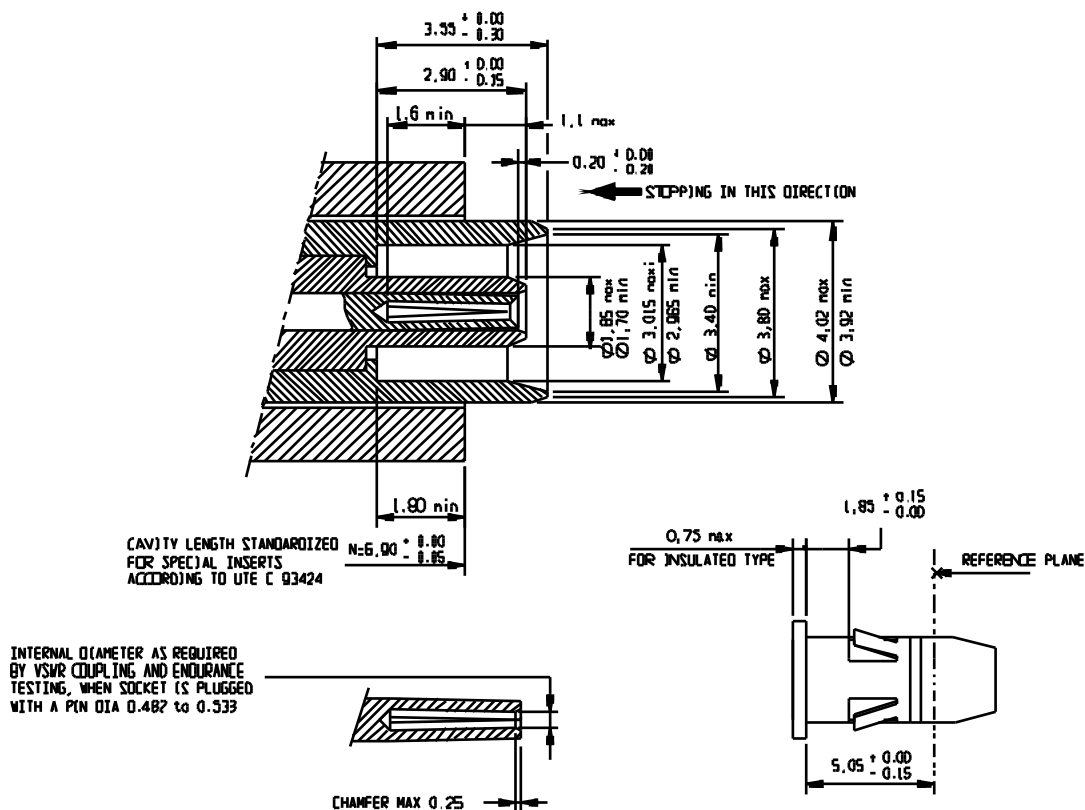
NOTE 1 : Item delivered in special package in order to project the terminations (SMT).
 - pre-insert the contact on the moulding with help of the protection : see drawings 1 and 2 ;
 - or extract the contact according to drawing 3.



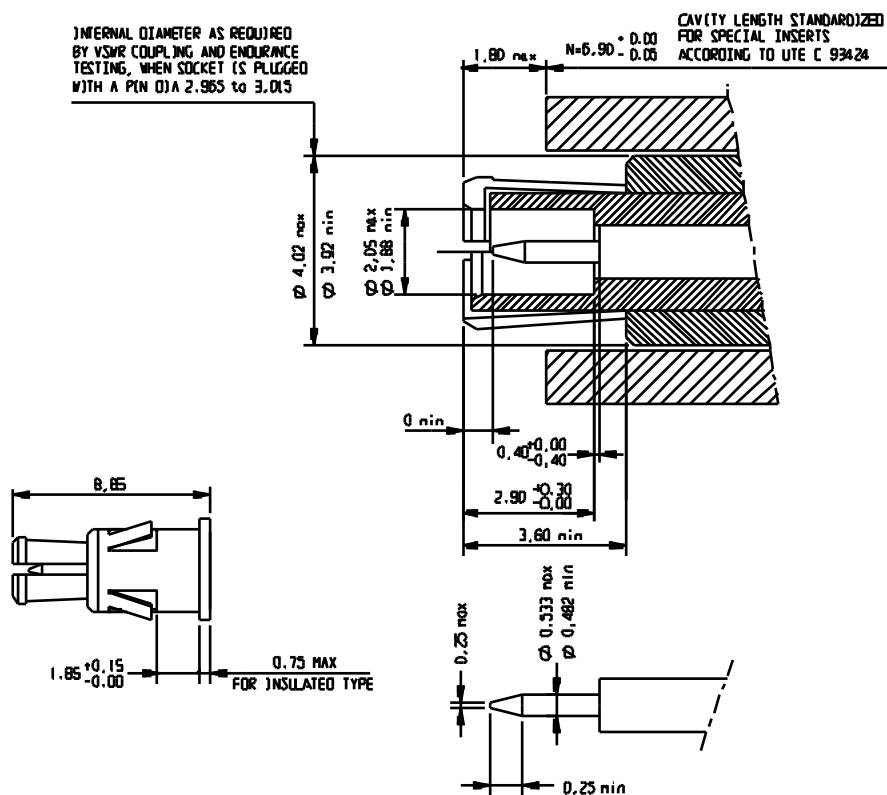
SERIES HE 810

INTERCHANGEABILITY

FEMALE COAXIAL CONTACT



MALE COAXIAL CONTACT



MOUNTING DETAILS FOR COAXIAL CONTACTS

MOUNTING DETAILS FOR COAXIAL CONTACTS SERIES KMX 3 RIGHT ANGLE TERMINATIONS

For information, see diagram IV.

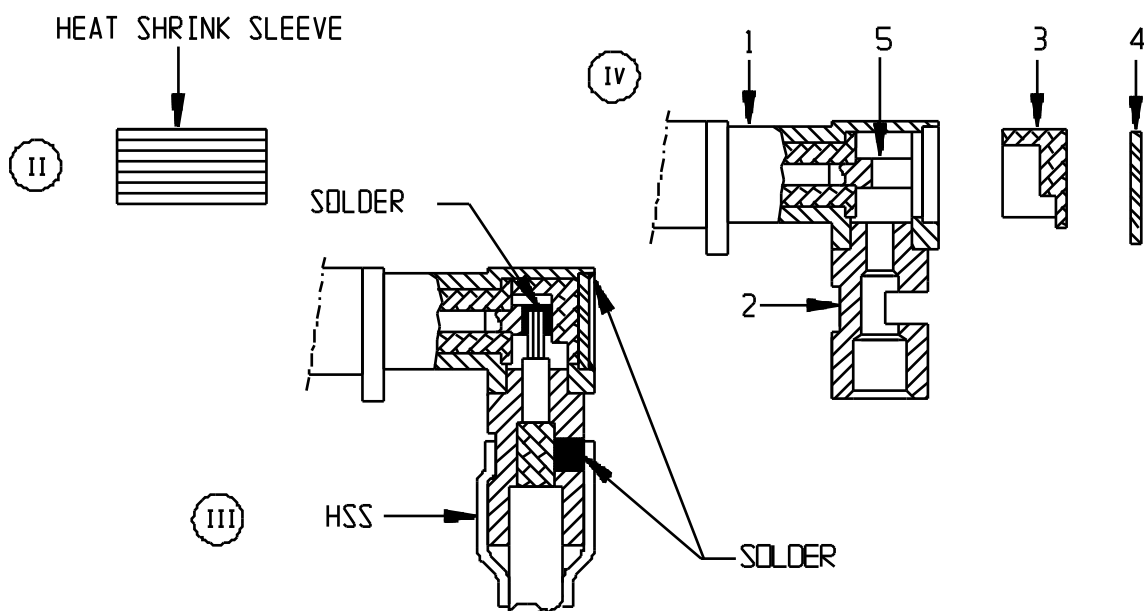
- Strip the cable according to the connector style and take care not to damage the braid and cable core (diagram I).
- Fit the heat shrink sleeve * HSS (diagram II).
- Tin the cable core.
- Push the cable into the body 2 until it is against the shoulder of the body (diagram III).
- Solder the cable core to the inner contact 5 (diagram III).
- Solder the screen ** of the cable to the connector body 2 (diagram III).
- Push insulator pad 3 and connector cap 4 into back of the connector body 1 (diagram III).
- Solder the connector cap to the connector body 1 (diagram III).
- Shrink sleeve over connector and cable (diagram III).

* Excepted for semi-rigid cable.

** For semi-rigid cable : solder the screen.

STRIPPING

<p>KMX 3 - M 092 and F 092 KMX 3 - M 112 and F 112</p>	
<p>KMX 3 - M 142 and F 142</p>	
<p>KMX 3 - M 112 and F 112 E 756 C 57 - C 58 - C 59 C 60 - C 61 - C 62 - C 65 - C 66</p>	



SERIES HE 810

MOUNTING DETAILS FOR COAXIAL CONTACTS

MOUNTING DETAILS FOR COAXIAL CONTACTS SERIES KMX 3 STRAIGHT TERMINATIONS

For information, see diagram IV.

- Strip the cable according to the connector style and take care not to damage the braid and the cable core (diagram I).
- Fit the heat shrink sleeve * HSS (diagram II).
- Tin the cable core.
- Fit the sleeve 4 and the insulating washer 3 (diagram III).
- Push the cable core into the inner contact 2 and solder, the solder should not contaminate the outside \varnothing of the inner contact 2 (diagram III).
- Push the cable into the back of the connector body 1 (diagram IV) until it against the shoulder of the body.
- Solder the screen of the cable ** and the sleeve to the connector body 1 (diagram V).
- Shrink sleeve * over connector and cable.

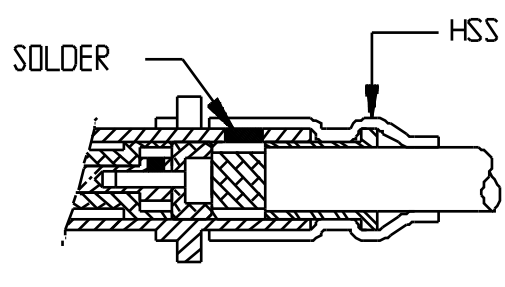
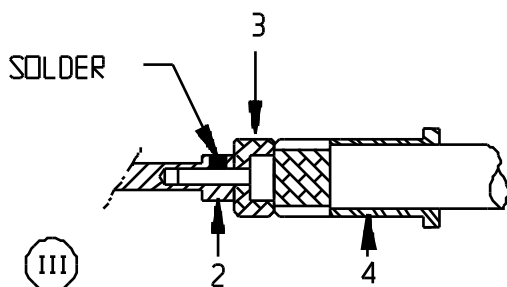
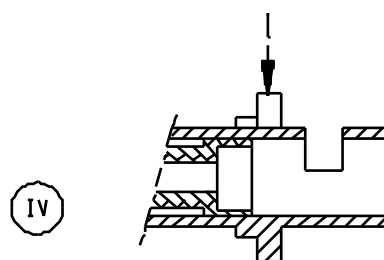
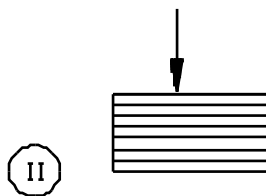
* Excepted for semi-rigid cable.

** For semi-rigid cable : solder the screen.

STRIPPING

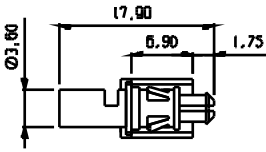
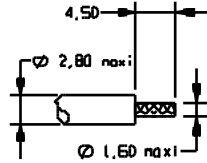
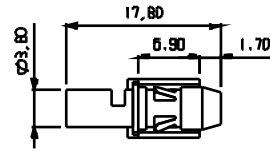
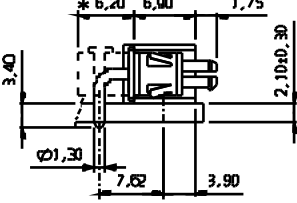
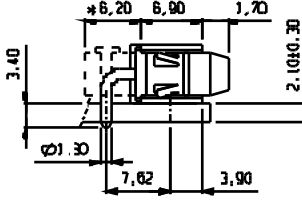
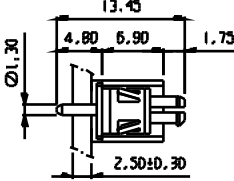
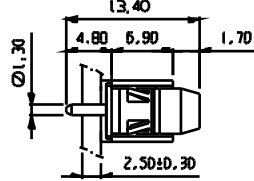
KMX 3 - M 101 and F 101 E 756 C 15 and C 16	
E 756 C 11 and C 12	
KMX 3 - M 081 and F 081 E 756 C 09 et C 10	
KMX 3 - M 131 and F 131	

HEAT SHRINK SLEEVE



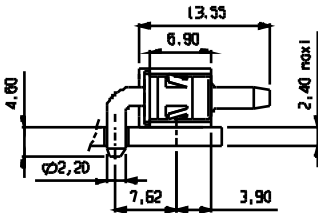
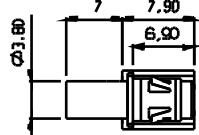
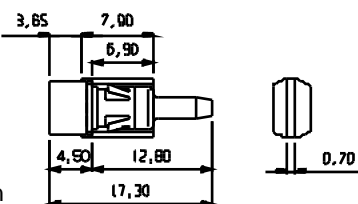
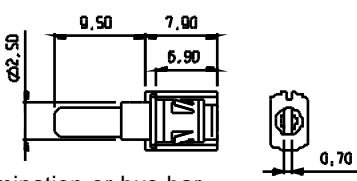
SERIES HE 810 HIGH POWER CONTACTS

KMX 3 series specification NFC 93569 - 10 A under 30 Vdc - 15 A peak

MALE		FEMALE
<p>KMX 3 - M 121</p> 	<p>Cable preparation</p>  <p>Solder termination</p>	<p>KMX 3 - F 121</p> 
<p>KMX 3 - M 132</p> 	<p>Male and female power contacts with 90 p.c.b. terminations.</p> <p>P.c.b. thickness $3,70 \pm 0,30$</p> <p style="text-align: center;">← *E756 C25 E756 C26* →</p>	<p>KMX 3 - F 132</p> 
<p>KMX 3 - M 141</p> 	<p>Male and female power contacts with straight p.c.b. terminations.</p> <p>P.c.b. thickness $5 \pm 0,30$</p> <p style="text-align: center;">← E756 C28 E756 C27 →</p>	<p>KMX 3 - F 141</p> 

* Termination lengths according CEI recommendations.

SPECIAL HIGH POWER CONTACTS 20 A under 30 VCC - 25 A peak

MALE	FEMALE
<p>M 134</p>  <p>Right angle termination</p>	<p>F 124</p>  <p>Crimping tool T and B : MS 3191 A.</p> <p>For wire AWG 12 to 14, positioner G12-G14.</p> <p>For wire AWG 16, positioner G16.</p> <p>Soldering or crimping termination</p>
<p>M 164</p>  <p>Straight termination for bus bar</p>	<p>F 164</p>  <p>Mother board termination or bus bar</p>

Others options, see Additional 97

